

Magnet driven thermoplastic vertical sump pumps Type series ETMB

- Sizes:**
 - ETMB 25 - 125
 - ETMB 32 - 125
- Delivery rate:**
 - up to 25 m³/h
- Head:**
 - up to 26 m
- Immersion depths:**
 - 275 mm or 475 mm
- Suction tube extension:**
 - up to 1.500 mm
- Materials:**
 - PP or PVDF



The vertical sump pumps of series ETMB made of thermoplastic are hermetically sealed, low emission and without seal due to their integrated magnet drive. They permit the leak-free delivery of toxic, dangerous fluids which do not contain any solid particles, and of valuable fluids encountered in the environment and waste water technology, in the chemical industry and in surface finishing.

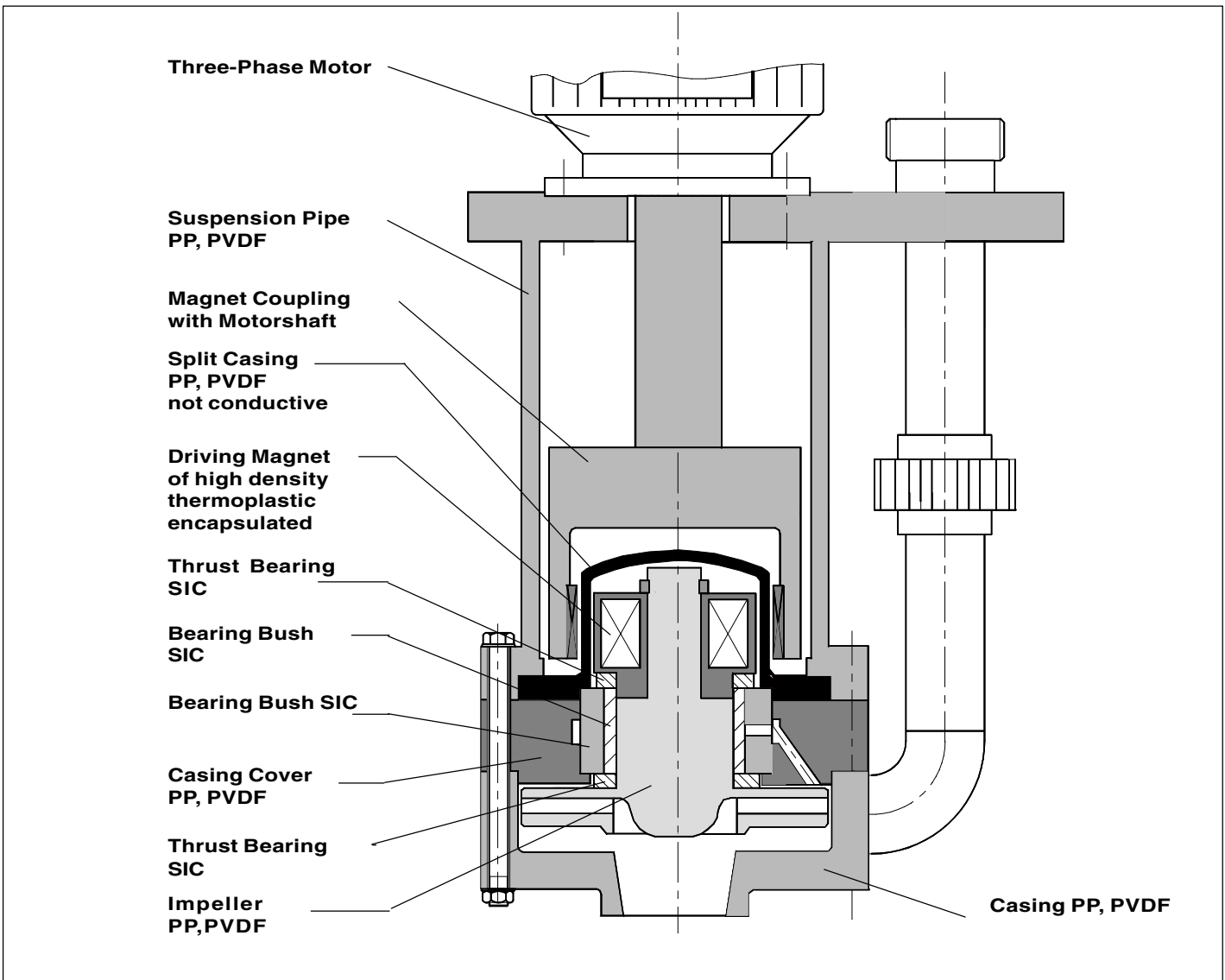
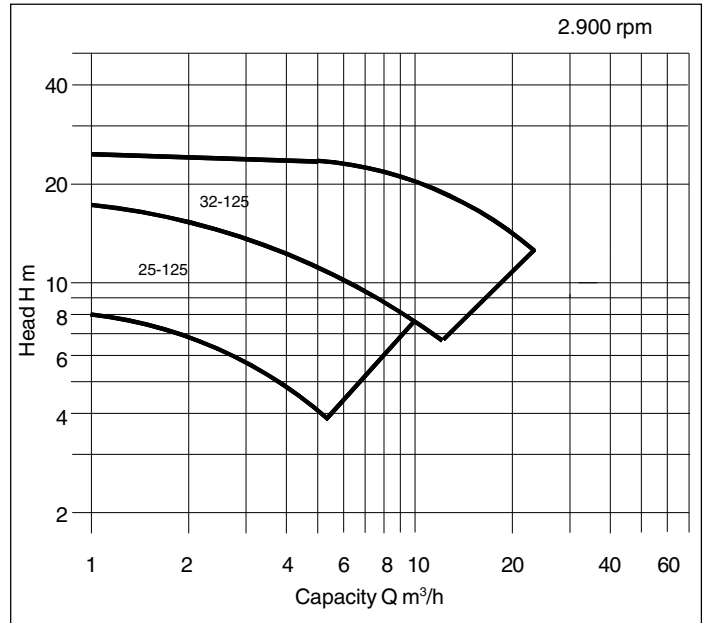
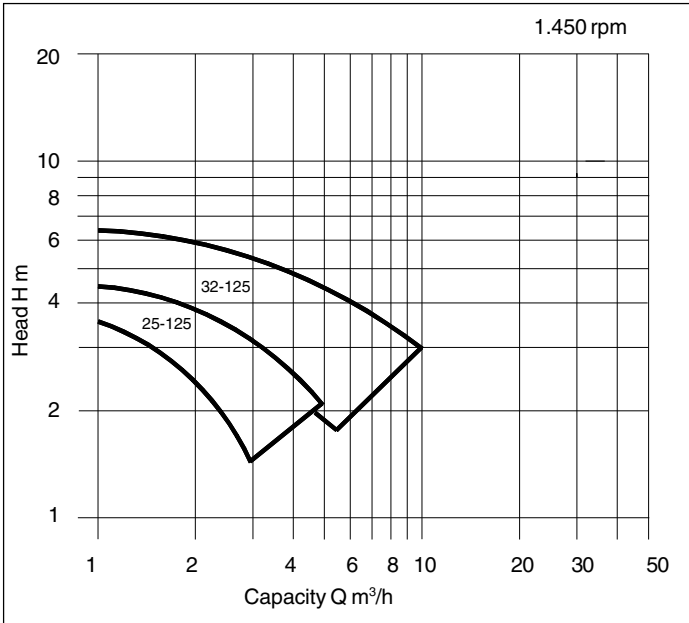
The ETMB pumps is designed as a single-stage, vertical chemical sump pump. Its IEC three-phase motor with reinforced bearing is connected to the magnet drive of the pump impeller

through its extended motor arbour. The impeller magnet (thermoplastic encapsulated) is connected to the pump shaft by way of a rotational direction independent fastening method which allows the drive energy to be transferred to the pump impeller without eddy current and, as such, without loss and without contact using a permanent magnet coupling.

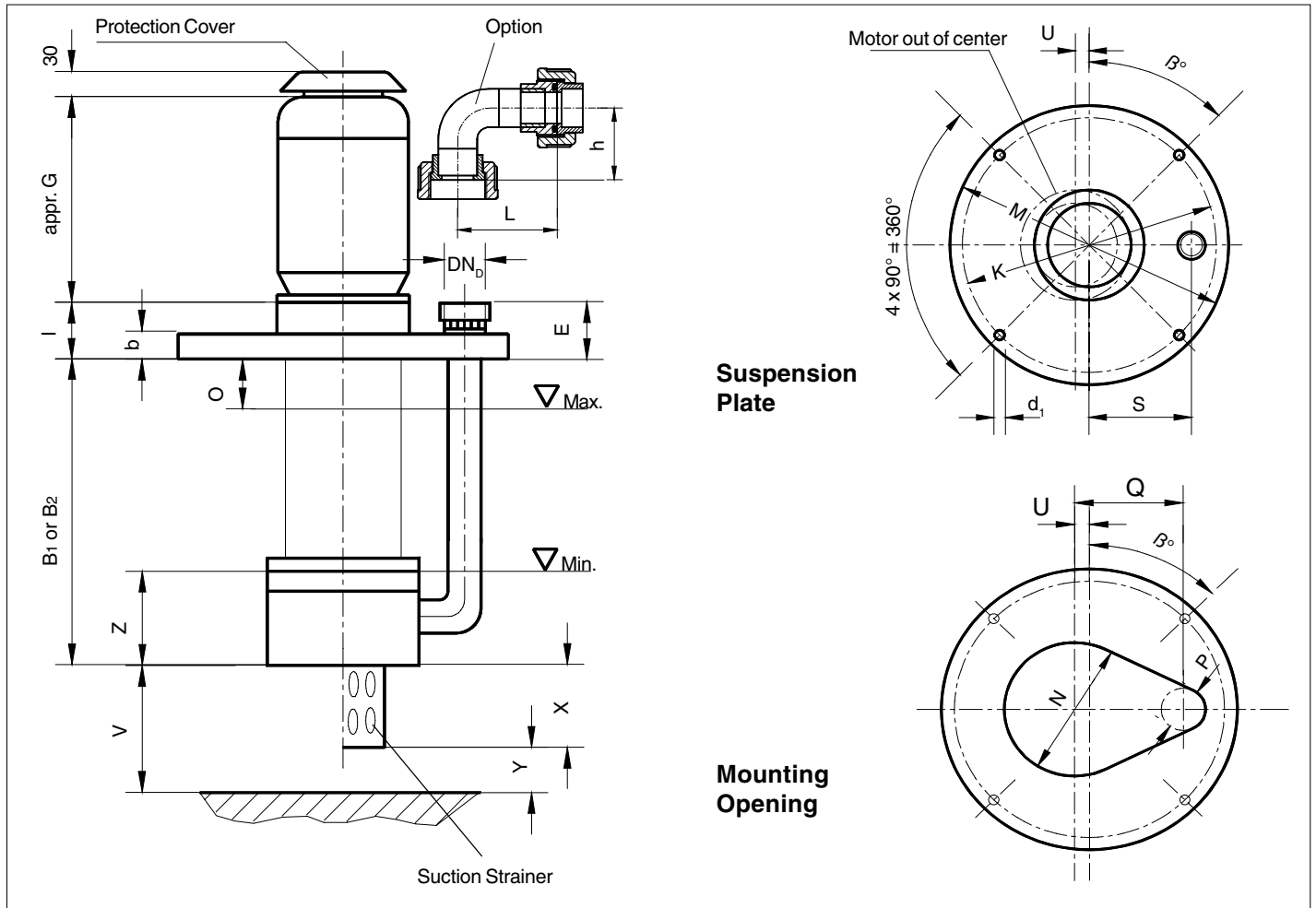
As standard, the corrosion and highly wear resistant material silicium carbide (SiC) is used for the glide bearing of the pump impeller. A special material combination allows the realisation of a dry running pump version.

Depending on the operating parameters, either polypropylene (PP) or polyvinylidene fluoride (PVDF) is used for the production of the pump components. The series includes the types ETMB 25-125 and ETMB 32-125. Delivery capacity is up to 25 m³/h with head heights of 28 m at 0.37 to 3.0 kW drive ratings. Rotation speed range: 1450/2900 rpm or 50/60 Hz.

Characteristic Curves for Rpm 1.450 and 2.900



Dimensions: Typ ETMB



Type	Connection	Motor ¹⁾	Pump Dimensions (mm)											
Size	DNb	kW	B1	B2	b	E	h	L	I	O	Vmin.	Z	X	Ymin.
25-125	25	0,37-1,50	275	475	20	50	60	82	60	60	60	112	100	10
32-125	32	1,50-4,00	275	475	30	64	101	87	111	60	60	140	125	10

Type	Suspension Plate					Mounting Opening				Weight (kg) ²⁾				Motor	
	Size	β°	d ₁	Ø K	Ø M	S	Q	Ø N	Ø P	U	PP 275	PP 475	PVDF 275	PVDF 475	Size
25-125	41	14	270	320	132	0	240	80	0	10,0	12,0	12,5	15,0	BG 80	232
32-125	45	18	408	440	145	205	290	110	60	13,5	16,0	17,5	21,0	BG 90	244
														BG 100	303

1) n = 2900 rpm , 50 Hz

2) standard value without motor

3) on request

Technical alterations excepted

